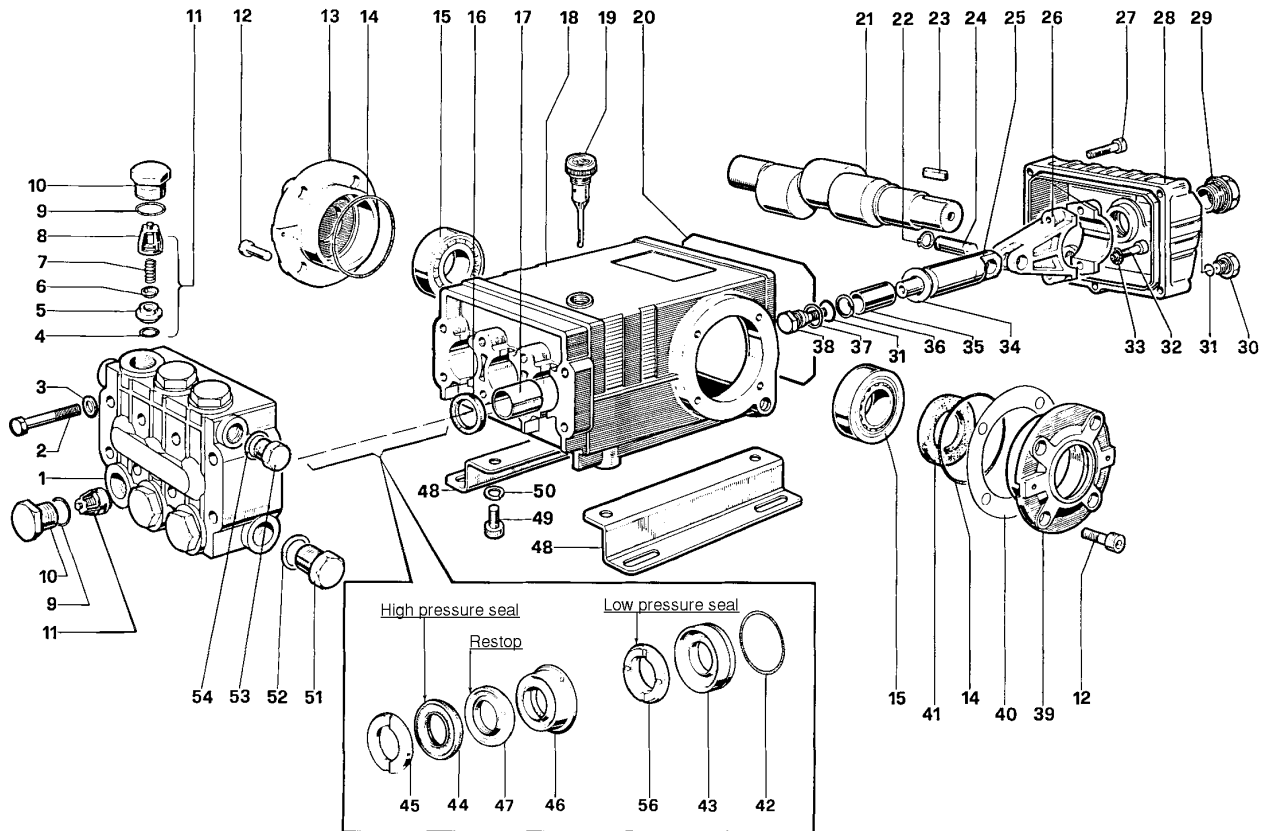


T Series 47 S – 20 mm x 10 mm

GENERAL PUMP

A member of the Interpump Group



PARTS LIST

ITEM PART NO.	DESCRIPTION	KIT NO.	QTY.	ITEM PART NO.	DESCRIPTION	KIT NO.	QTY.	ITEM PART NO.	DESCRIPTION	KIT NO.	QTY.
1. 47120841	Manifold		1	19. 98210600	Oil Dip Stick		1	37. 96728000	Washer	6	3
47120941	Manifold, Nickel-Plated (T9211-N)			20. 90392200	O-Ring, Cover		1	38. 47219566	Screw, Plunger	6	3
2. 99320600	Screw, M8 x 70		8	21. 47021435	Crankshaft		1	39. 47150022	Cover, Crankcase		1
3. 96702000	Washer, M8.4		8	22. 90055700	Ring, Snap		6	40. 97567800	Shim		2
4. 90384100	O-Ring, .674 x .103	1	6	23. 91489000	Key		1	41. 90164800	Seal, Oil	3	1
5. 36200366	Seat, Valve	1	6	24. 97738000	Pin, Wrist		3	42. 90361600	O-Ring, 1.364 x .070	10, 28	3
6. 36200176	Plate, Valve	1	6	25. 47050554	Guide, Plunger		3	43. 47080570	Retainer, Packing	10, 28	3
7. 94737600	Spring	1	6	27. 99191200	Screw, M6 x 30		5	44. 90270500	Packing	28, 69	3
8. 36200251	Guide, Valve	1	6	99183700	Screw, M6 x 14 (TS1331)		5	45. 47100051	Ring, Head, M20	7, 28	3
9. 90384700	O-Ring, .797 x .103	4, 5	6	28. 47160122	Cover, Crankcase		1	46. 47216970	Intermed. Ring	28, 71	3
10. 98222000	Cap	4	6	47160022	Cover, Crankcase (TS1331)			47. 90270400	Restop Ring	28, 69, 71	3
98222200	Cap, Ni-Plated (T9211-N)	5		29. 97596800	Oil Indicator		1	48. 47200074	Pump Feet		2
11. 36703201	Valve Assembly	1	6	30. 98204100	Cap		1	49. 99364400	Screw, M10 x 18		4
12. 99303900	Screw, M8 x 16		8	31. 90358500	O-Ring, .426 x .070	6	4	50. 96710600	Washer, M10.2		4
13. 47150122	Cover, Crankcase		1	32. 99309900	Screw, M8 x 35		6	51. 98217600	Cap		1
14. 90391300	O-Ring, 2.675 x .103		2	33. 96701400	Washer, M8.4		6	52. 96751400	Washer, M21.5		1
15. 640047	Bearing, Roller		2	34. 96728600	Washer, M14		6	53. 98210000	Cap		1
16. 90162500	Seal, Oil	2	3	35. 47040409	Plunger, (20 mm)		3	54. 96738000	Washer, M17.5		1
17. 90912600	Bushing		3	36. 90506700	Ring, Back-up		6	56. 90271000	Seal, Low Press., 20mm	28, 69	3
18. 47010522	Crankcase		1								

REPAIR KITS

KIT NO.	1	2	3	4	5	6	7	10	28	69	71
ITEM NO.s INCLUDED IN KIT	4, 5 6, 7, 8 (11)	16	41	9, 10	9, 10	31, 34, 36, 37, 38	45	42, 43	42, 43, 44, 45, 46, 47, 56	44, 47, 56	46, 47
NUMBER OF ASSEMBLIES IN KIT	6	3	2	6	6	3	6	3	1	3	3
NUMBER OF CYLINDERS KIT WILL SERVICE	3	3	-	3	3	3	3	3	1	3	3

TORQUE SPECS*

Position	Ft.-lbs.
2	22.1
10	73.7
12	14.7
27	7.3
29	13.2
30	14.7
32	14.7
38	14.7
49	29.4
51	29.4
53	29.4